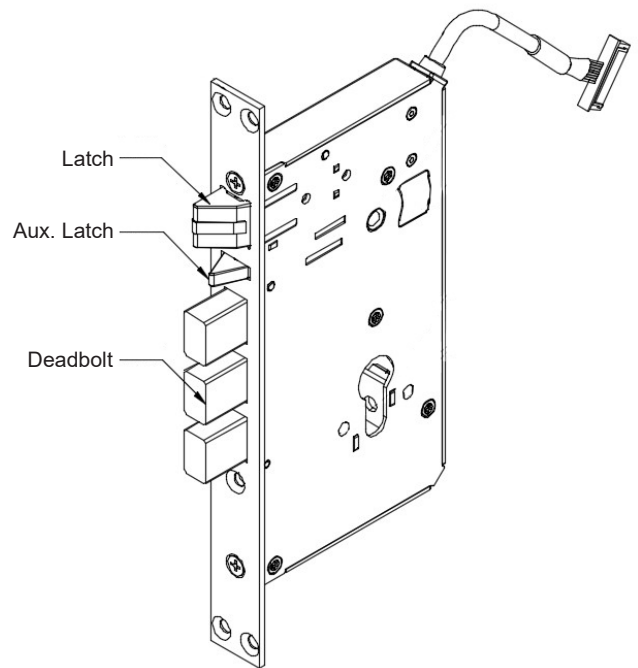




Motorized Lockset **MT6968M**



FEATURES

- Auto locking and unlocking.
- The lock is used for door automation needed.
- Non-handed design.
- Fail secure.

SPECIFICATIONS

- Material: stainless steel.
- Operating Voltage: 3.0-7.0V
- Rated Current: > 1 Amp
- Backset: 60mm.

FUNCTIONS

Electrified Operation

When door closes, aux. latch drives the signal on the latch to motorize the deadbolt thrown out automatically.

When electrical control is on, deadbolt is withdrawn inside the lockcase by motor. Door is opened by using door pull.

Mechanical Operation

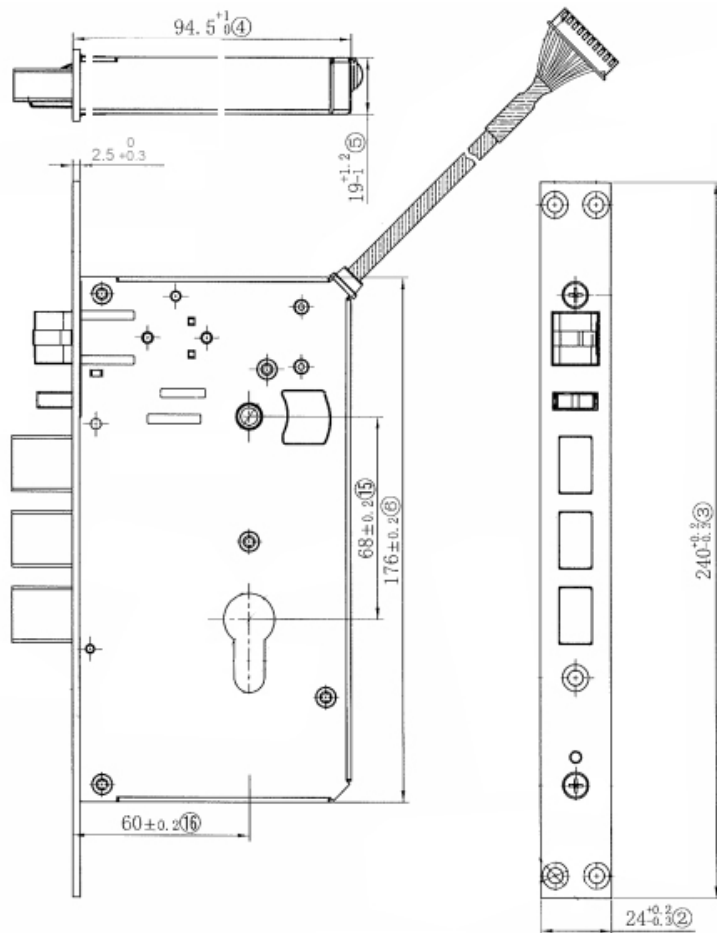
When there is a power outage, the lock can be unlocked manually by the key. The key cannot lock the lock.



Motorized Lockset

MT6968M

DIMENSIONS



WIRING DIAGRAM

- | | |
|---------------|---|
| 1. Green | Aux. latch signal for motor (to drive deadbolt) |
| 2. Brown | Signal for motor (back to its place) |
| 3. White | Power + |
| 4. Grey | Power - |
| 5. Purple | Signal for deadbolt (thrown out) |
| 6. Light Blue | Signal for deadbolt (retraction) |
| 7. Blue | Signal for latch unlock |
| 8. Yellow | Ground |
| 9. Empty | |
| 10. Empty | |

